

## Quiet running single-stage centrifugal pumps for water recirculation

### Applications

Water recirculation in spas and private pools.  
With central suction and adjustable discharge outlet.

### Materials

Suction cover, impeller, pump foot and discharge body in technopolymer.  
Mechanical seal in graphite and steatite.

**Shaft in stainless steel AISI 431.**

Motor housing in aluminium.

O-rings in NBR.

### Motor

Asynchronous, two poles.

IP X5 protection.

Class F insulation.

Continuous operation.

Built-in thermal protection.

Single phase two speed options:

2P = 2900 rpm. / 4P = 1450 rpm.

**10.000 hours P2 capacitor with aluminium casing.**

### Equipment

**Wiper 0:** 2<sup>1/4</sup>" inlet and outlet ports.  
Complete with suction and discharge unions (metric 50 mm).

**Wiper 3:** 2<sup>3/4</sup>" inlet and outlet ports.  
Complete with suction and discharge unions (metric 63 mm).



### Hydraulic performance table

Model	I [A]		P1 [kW]		P2		c	l/min	25	50	100	150	200	250	300	350	1~230 V (model M)
	1~230 V	1~230 V	[kW]	[HP]	[μF]	m <sup>3</sup> /h			1.5	3.0	6.0	9.0	12	15	18	21	Code
Wiper0 50	2.3	0.5	0.24	0.33	12	mwc	10	9.4	7.9	6.0	3.6	1					00203170
Wiper0 70	2.9	0.64	0.37	0.5	12		11	10.6	9.7	8.5	6.6	4.5	2.2				00203171
Wiper0 90	3.74	0.85	0.74	1.0	12		11.7	11.3	10.5	9.6	8.4	6.7	4.6	2.2			00099497

### 1 x 230 V Single phase

Model	I [A]		P1 [kW]		P2		c	l/min	50	100	200	300	400	500	600	900	1~230 V (model M)
	1~230 V	1~230 V	[kW]	[HP]	[μF]	m <sup>3</sup> /h			3.0	6.0	12	18	24	30	36	54	Code
Wiper3 150	6.4	1.4	1.1	1.5	25	mwc	13.3	13	12.1	10.8	8.2	5					00203173
Wiper3 200	8.8	2	1.5	2	40		14.8	14.5	13.9	12.9	11.1	9.1	6.8				00203174
Wiper3 300	11	2.5	2	3	60		14.8	14.5	14.1	13.5	12.8	11.9	10.7	4.7			00203175

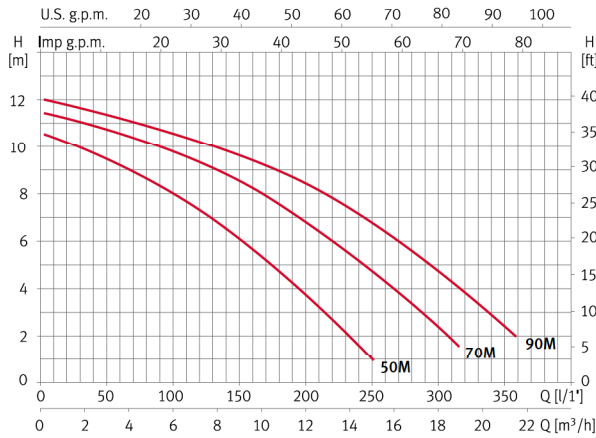
Model	I [A]		P1 [kW]		P2		c	l/min	50	100	200	300	400	500	600	900	1~230 V (model M)
	1~230 V	1~230 V	[kW]	[HP]	[μF]	m <sup>3</sup> /h			3.0	6.0	12	18	24	30	36	54	Code
Wiper3 150M 2P4P	2P	6.4	1.4	1.1	1.5	25	mwc	14.0	13.3	13.0	12.1	10.8	8.2	5.0			00099499
	4P	1.4	0.35	0.18	0.25	16		3.0	2.9	2.8	2.0						
Wiper3 200M 2P4P	2P	8.8	2.0	1.5	2	40		15.0	14.8	14.5	13.9	12.9	11.1	9.1	6.8		00129317
	4P	1.7	0.4	0.18	0.25	16		3.0	2.9	2.8	2.6	1.5					

### 3 x 230/400 V Three phase

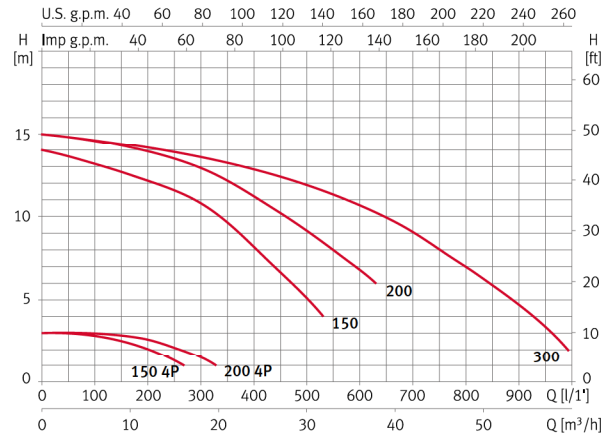
Model	I [A]		P1 [kW]		P2		l/min	50	100	200	300	400	500	600	900	3~400 V (model T)	
	3~230 V	3~400 V	3~	[kW]	[HP]	m <sup>3</sup> /h		3.0	6.0	12	18	24	30	36	54	Code	
Wiper3 150	5	2.9	1.1	1.1	1.5	mwc	13.3	13	12.1	10.8	8.2	5				00203176	
Wiper3 200	6.6	3.8	1.8	1.5	2		14.8	14.5	13.9	12.9	11.1	9.1	6.8				00203177
Wiper3 300	7.1	4.1	2.4	2	3		14.8	14.5	14.1	13.5	12.8	11.9	10.7	4.7			00203178

## Performance curves at 2900 rpm

### Wiper0



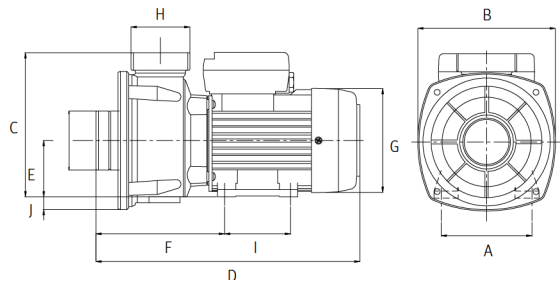
### Wiper3



## Dimensions and weights

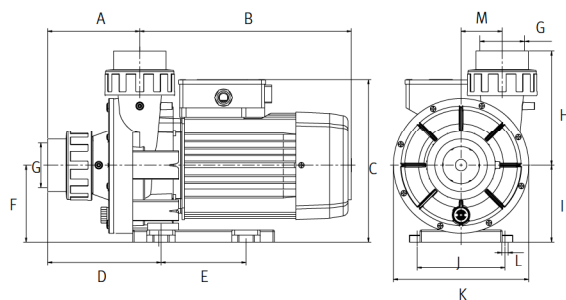
### Wiper0

Model	A	B	C	D	E	F	G	H	I	J	Kg
Wiper0 50	102	154.5	162	295.5	63	144.5	116	2 1/4"	74	15	5.7
Wiper0 70	102	154.5	162	295.5	63	144.5	116	2 1/4"	74	15	6
Wiper0 90	102	154.5	162	295.5	63	144.5	116	2 1/4"	74	15	6.8



### Wiper3

Model	A	B	C	D	E	F	G	H	I	J	K	L	M	Kg
Wiper3 150	130	298.7	230	160	120	108	63	162	108	124	191	9	29	14.3
Wiper3 200	130	298.7	230	160	120	108	63	162	108	124	191	9	29	17
Wiper3 300	130	298.7	230	160	120	108	63	162	108	124	191	9	29	18.8



\*Service kits are available on request