

## Self-priming quiet-running horizontal multi-stage centrifugal pumps

### Applications

To supply water at pressure in domestic applications. With protection to prevent the pump from operation when dry.

### Materials

Pump body and impellers in stainless steel AISI 304.  
 Motor shaft in stainless steel AISI 431.  
 Diffusers in technopolymer.  
 Mechanical seal in graphite and steatite.  
 Motor housing in aluminium.  
 O-rings in EPDM/NBR.

### Motor

Asynchronous, two poles.  
 IP X5 protection.  
 Class F insulation.  
 Continuous operation.  
**Tecnopres 15:** Single phase version with built-in thermal protection.  
**Tecnopres 25:** Single phase version up to 1.25 HP with built-in thermal protection.

### Limitations

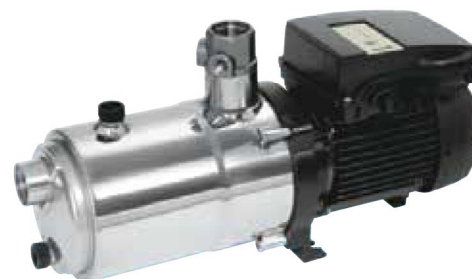
Maximum liquid temperature: 40 °C.  
 Self-priming up to 9 m.

### Equipment

Complete with kit press and pressure gauge.  
 Complete with 2 m of H07 RNF cable.  
 With valve resistant to impurities, dry run protection and device to ensure pressure water supply.  
 You must install a pressure vessel on the discharge pipework.  
 8 ltrs for **Tecnopres 15**  
 18 ltrs for **Tecnopres 25**

### Technical features

Electronic display with push button and LEDs showing line, pump in operation and failure.  
 Starting pressure:  
**Tecnopres 15:** 1.8 bar (15/4),  
 2.3 bar (15/5).  
**Tecnopres 25:** 2.3 bar.



### Hydraulic performance table

Model	I [A]	P1 [kW]	P2		c	l/min	15	30	45	60	75	90	105	120	1~230 V (model M)
	1~230 V	1~230 V	[kW]	[HP]	[µF]	m³/h	0.9	1.8	2.7	3.6	4.5	5.4	6.3	7.2	Code
Tecnopres 15,4M	3.5	0.8	0.55	0.75	12	mwc	42	39	35	32	28	25	21		00097535
Tecnopres 15,5M	4.1	1	0.66	0.9	12		51	47	41.5	38	34	30	26	17	00097537

Model	I [A]	P1 [kW]	P2		c	l/min	15	30	45	60	75	90	105	120	1~230 V (model M)
	1~230 V	1~230 V	[kW]	[HP]	[µF]	m³/h	0.9	1.8	2.7	3.6	4.5	5.4	6.3	7.2	Code
Tecnopres 25,4M	6.8	1.5	0.95	1.25	16	mwc	44	42	40	37	33	28	22	15	00097539
Tecnopres 25,5M	7.4	1.7	1.1	1.5	25		56	55	53	49	43	37	29	20	00097541

All Tecnopres pumps are c/w Kit Press, pressure gauge and stainless steel discharge adaptor  
 (You must fit a pressure vessel on the discharge pipework for every Tecnopres) (Minimum size is 8 ltrs. for 15 & 18 ltrs. for 25)



Electronic device with reset button and LEDs showing line, pump in operation and failure.

One outlet for domestic supply at pressure

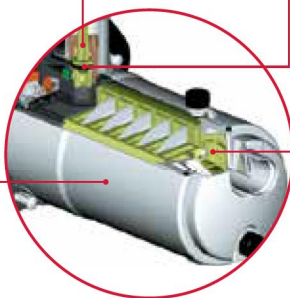
### Dry running protection

The pump stops automatically when there is no water in the installation.

### Self-priming valve

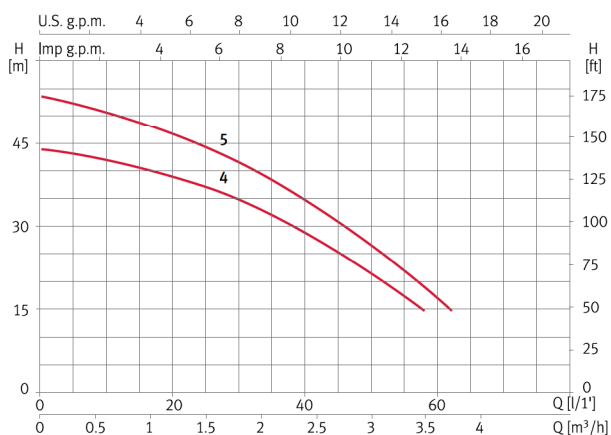
resistant to impurities closes automatically to prevent unnecessary recirculation of water.

**Pump body** made entirely of stainless steel to prevent oxidation due to water-air contact.

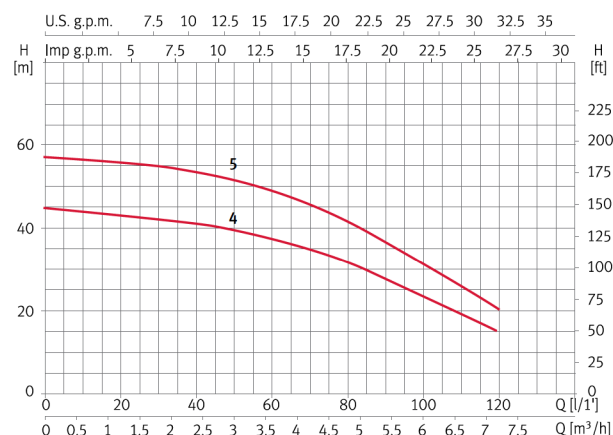


## Performance curves at 2900 rpm

Tecnopres 15

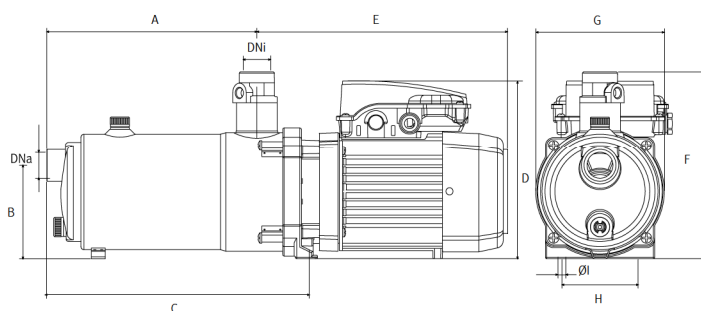


Tecnopres 25



## Dimensions and weights

Model	A	B	C	D	E	F	G	H	Ø I	DNa	DNi	Kg
Tecnopres 15.4M	195.8	107.5	256.3	197	244.5	216.3	148.5	88	9	1"	1"	10.3
Tecnopres 15.5M	219.1	107.5	279.6	197	244.5	216.3	148.5	88	9	1"	1"	11.2
Tecnopres 25.4M	216.3	107.5	276.8	206	268	216.3	148.5	88	9	1"	1"	10.3
Tecnopres 25.5M	242.6	107.5	303.1	206	289.5	216.3	148.5	88	9	1"	1"	11.2



\*Service kits are available on request