

Self-priming centrifugal pumps with Venturi system up to 9 m

Applications

To work with clean water.
Irrigation and hydropneumatic sets.

Motor

Asynchronous, two poles.
IP 44 protection.
Class F insulation.
Continuous operation.
Single phase version with built-in thermal protection.
Provided with removable handle for transport.

Limitations

Maximum suction lift: 9 m.
Maximum temperature of liquid: 40 °C.

Materials

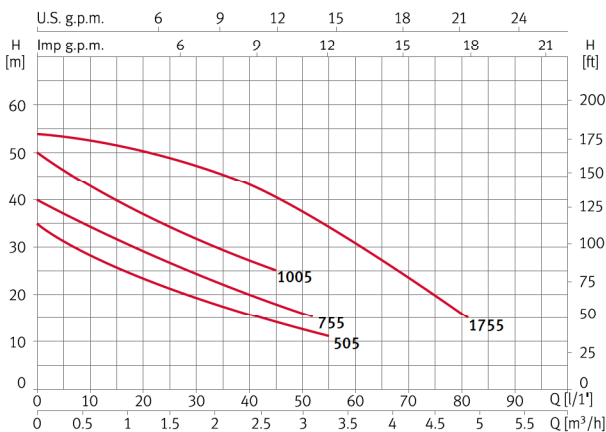
Pump body in stainless steel AISI 304.
Motor shaft in stainless steel AISI 420.
Diffusers in glass loaded Noryl®.
Mechanical seal in graphite and steatite.
Motor housing in aluminium L-2521.
Windings with epoxy resin.
Delta 505/755/1005:
Impeller in glass loaded Noryl®.
Delta 1755:
Impeller in stainless steel AISI 304.



Hydraulic performance table

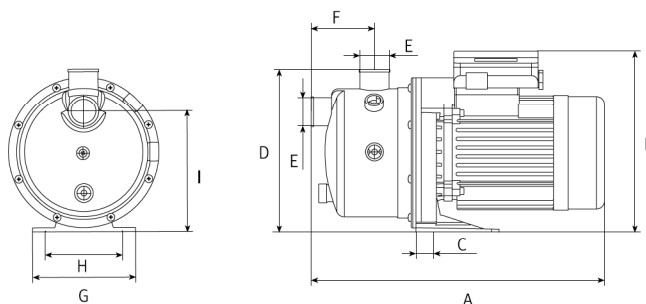
Model	I [A]			P1 [kW]		P2		c	l/min	5	15	25	35	40	50	60	75	1~230 V	3~400 V	
	1~230 V	3~		1~	3~	[kW]	[HP]											[μF]	(model M)	(model T)
	230 V	230 V	400 V	230 V	400 V														Code	Code
Delta 505	2.8	2.2	1.2	0.6	0.6	0.37	0.5	12	mwc	33	26	22	18	17	13			00146271	00146291	
Delta 755	3.4	2.6	1.3	0.8	0.8	0.55	0.75	12		37	32	27	23	21	17			00146270	00146309	
Delta 1005	4.8	3.3	1.9	1.0	1.0	0.75	1.0	16		47	40	34	29	27				00146018	00146061	
Delta 1755	5.5	3.8	2.1	1.2	1.2	0.75	1.0	16		57	55	51	47	44	38	32	21	00146017		

Performance curves at 2900 rpm



Dimensions and weights

Model	A	B	C	D	E	F	G	H	I	Kg
Delta 505	336	215	22	200	1"	78	126	94	147	6.8
Delta 755	336	215	22	200	1"	78	126	94	147	7.3
Delta 1005	359	225	22	200	1"	78	126	94	147	9.6
Delta 1755M	410	225	22	200	1"	78	126	94	147	12.1



*Service kits are available on request